



Manhole Covers Ireland Ltd

We cover everything!

Lowpark, Charletown, Co. Mayo, Ireland.

Phone 094 9033 022 Fax 094 92 54970

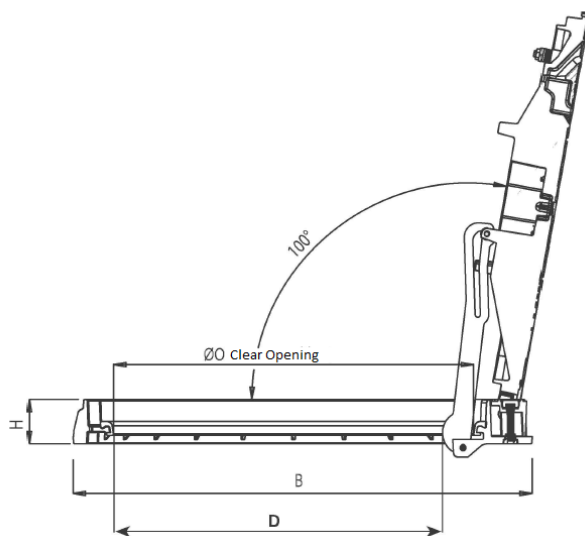
Email: info@mhcireland.com web Site www.mhcireland.com

Maxum 800 D400 Cover & Frame



Square Frame Available

Inspection manhole cover in Spheroidal cast iron EN- GJS-500-7 conforming to norm **UNI EN 1563:2004** with load bearing capacity over 400 kN (40 tons), conforming to the load class D400 as set out by norm EN 124:2-2015.



optional gas spring

optional turn-buckle

Product Code	Clear Opening	Overall Size	Frame Height	3rd Party Certified
MH-D-MAXUM800	800mm	1040mm RD	100	Yes
MH-D-MAXUM800-SF	800mm	1040 x 1000mm	100	Yes

Locking

- innovative automatic closing system with 3 bars
- hinders unauthorised opening = anti-theft - through the positioning of the locking points the cover is centred in the frame and is frictionally locked.

Hinge

- simple ergonomic opening of the cover - 120° position of inspection, 90° lifting position and blocking against unintentional closing of the cover.

Insert

- long life, high abrasion stability for extreme loads.

Options

- locking by means of a turn-buckle
- gas spring Assisted Lift